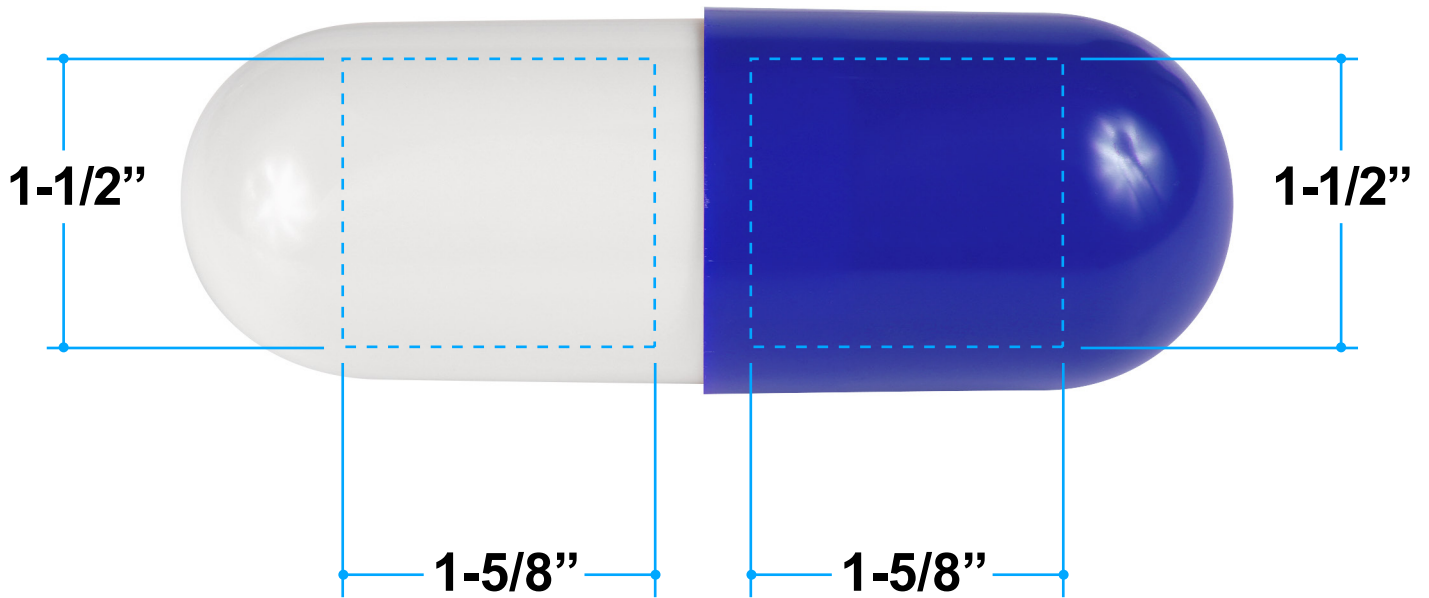


Proof/Layout form: QP22775

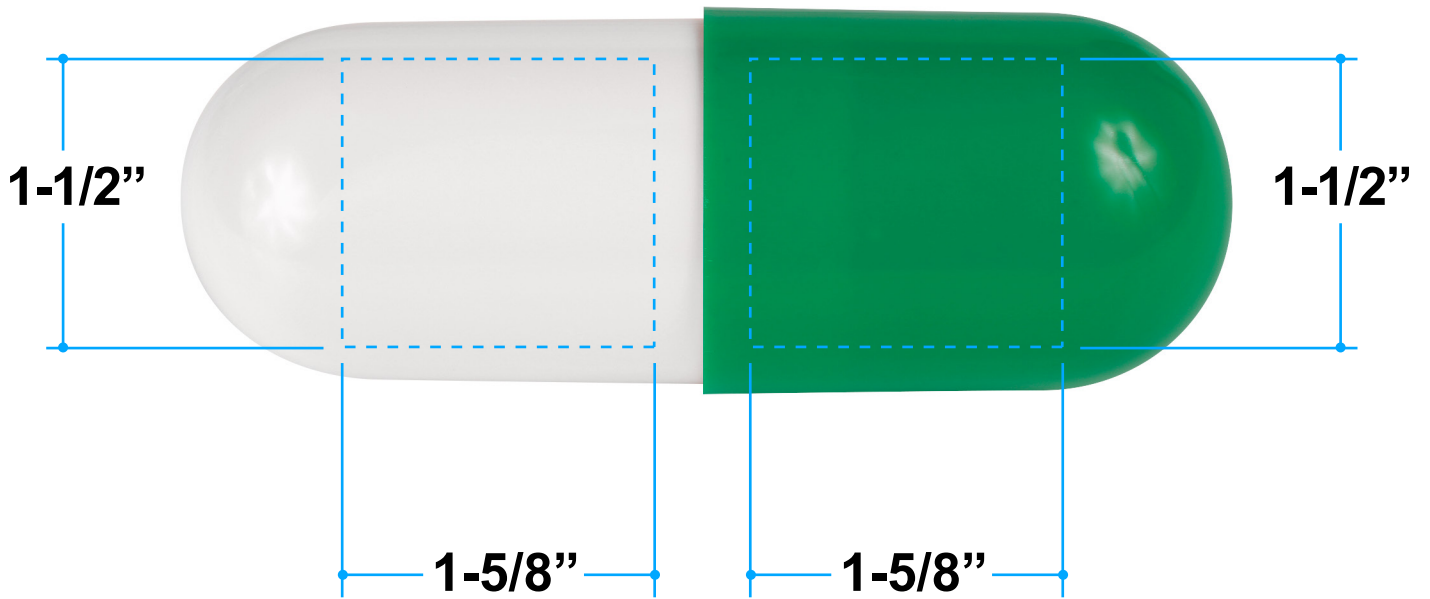
Capsule First Aid Kit



Item Color: White/Blue

Proof/Layout form: QP22775

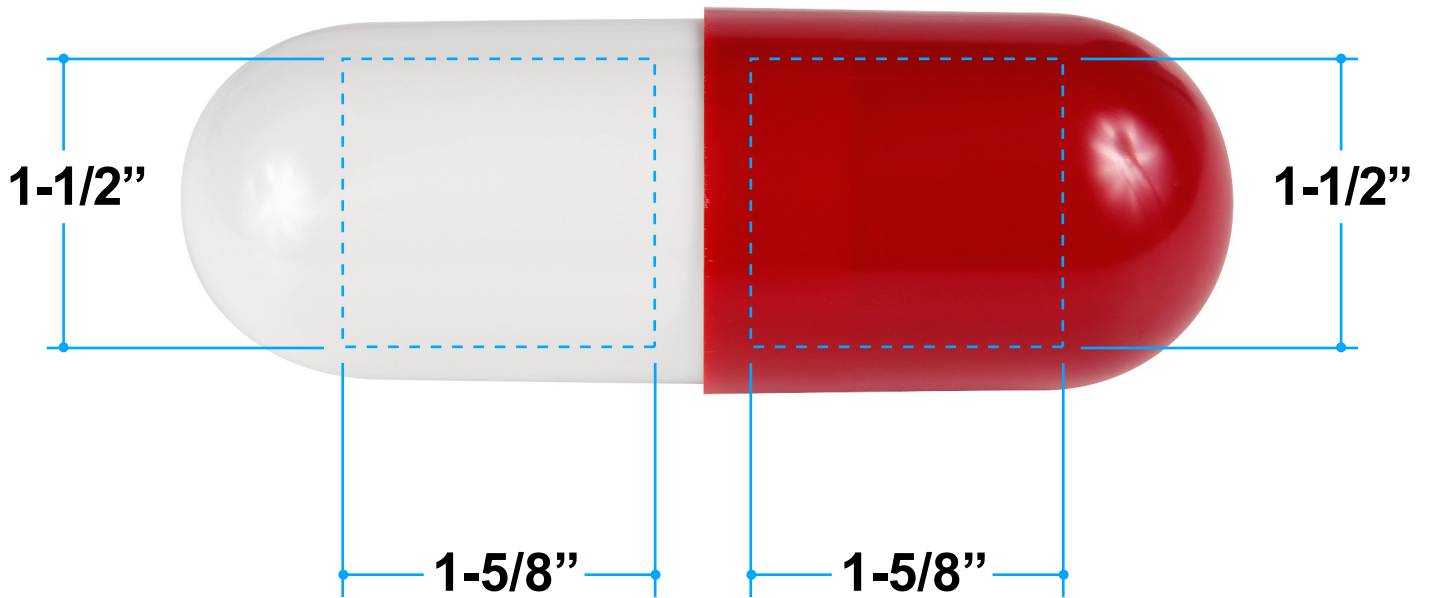
Capsule First Aid Kit



Item Color: White/Green

Proof/Layout form: QP22775

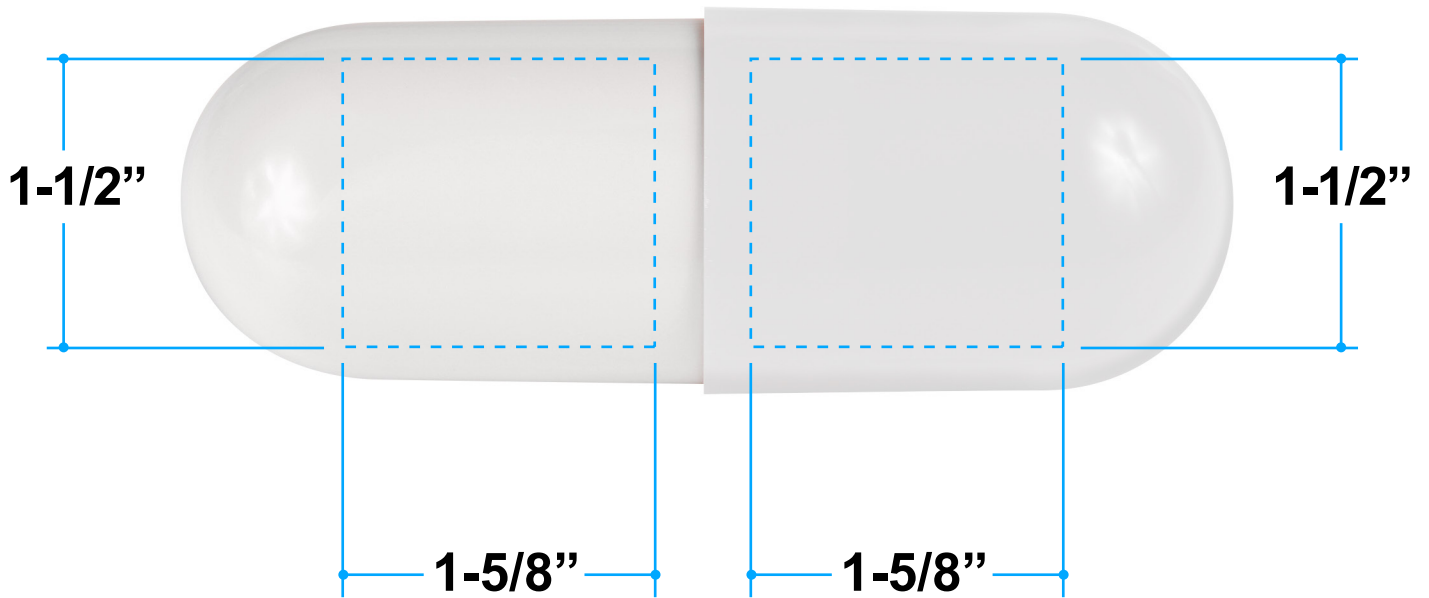
Capsule First Aid Kit



Item Color: White/Red

Proof/Layout form: QP22775

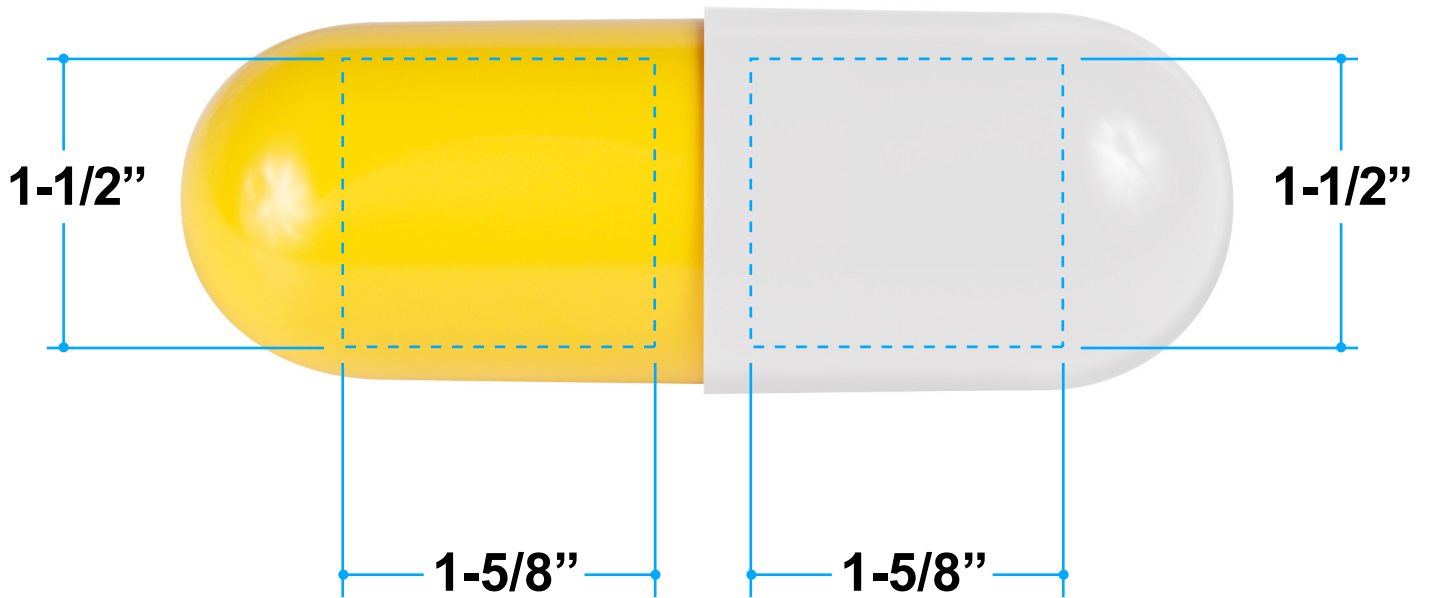
Capsule First Aid Kit



Item Color: White/White

Proof/Layout form: QP22775

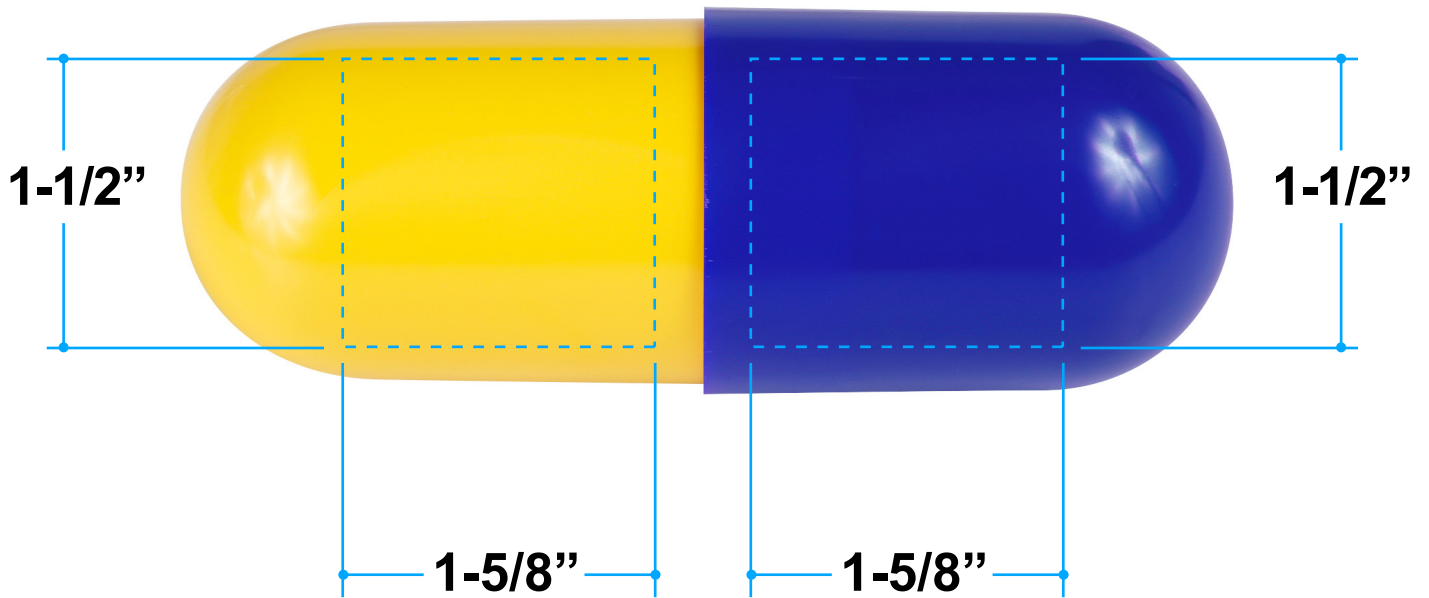
Capsule First Aid Kit



Item Color: Yellow/White

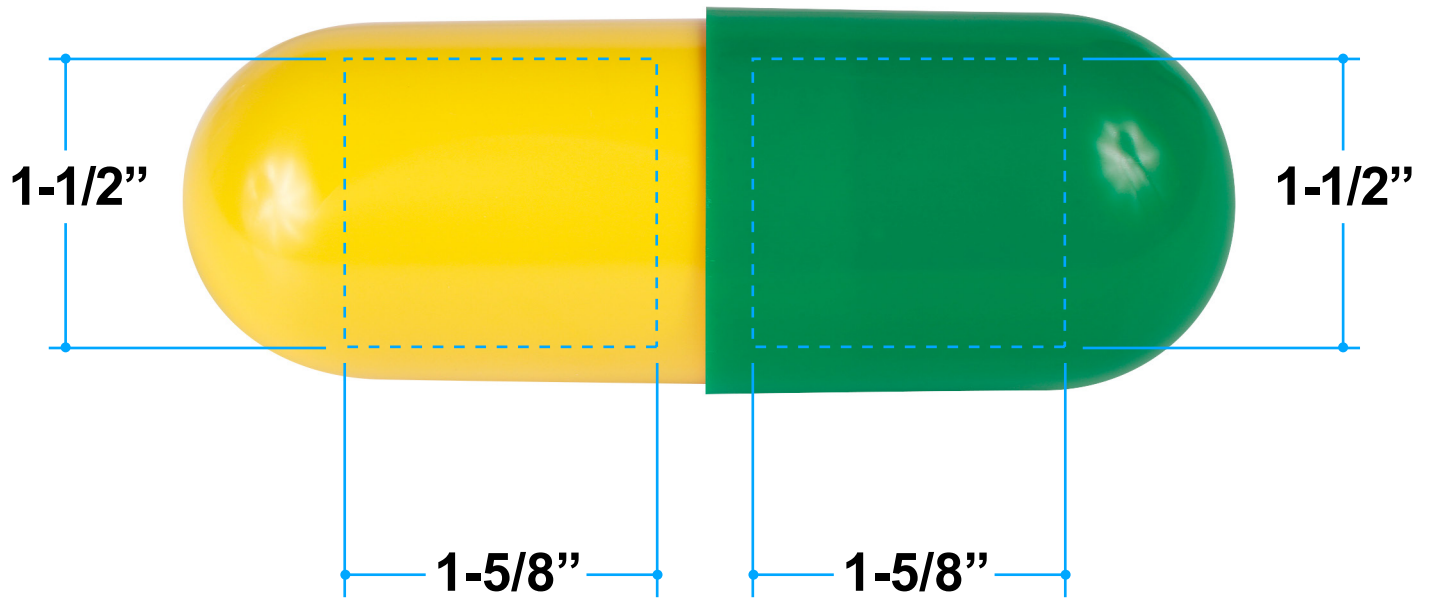
Proof/Layout form: QP22775

Capsule First Aid Kit



Proof/Layout form: QP22775

Capsule First Aid Kit



Item Color: Yellow/Green

Proof/Layout form: QP22775

Capsule First Aid Kit

