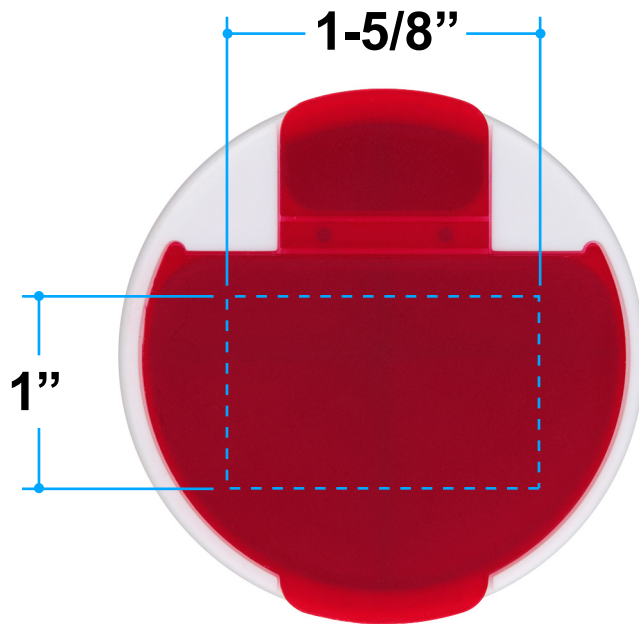
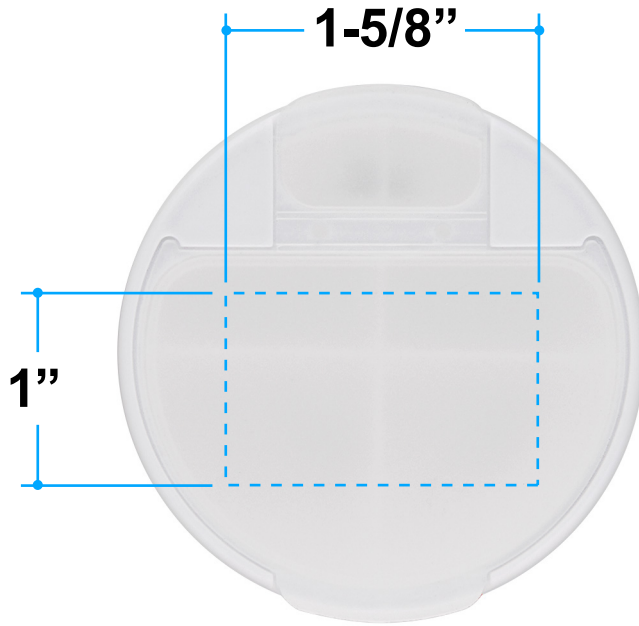


Proof/Layout form: QP54648
Pill Dispenser



Item Color: Frosted Red

Proof/Layout form: QP54648
Pill Dispenser



Item Color: Frosted Clear