

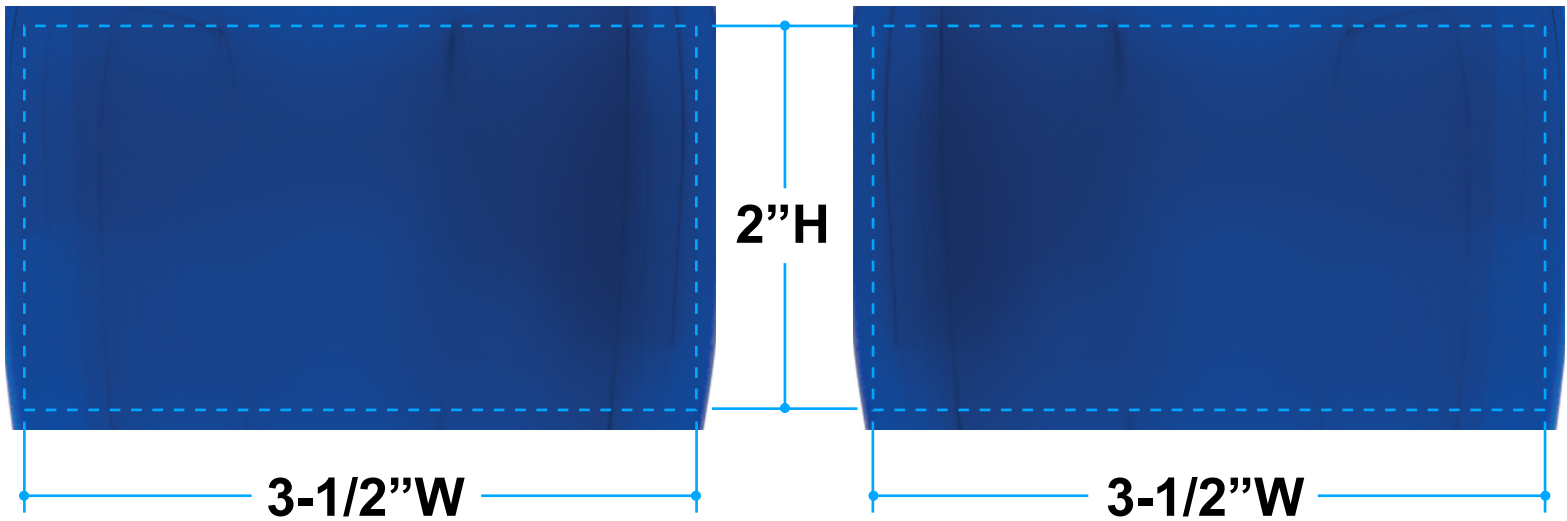
Proof/Layout form: QP57077
Optima™ Trans-Chrome Tumbler - 14 oz.



**Shown at 25%
of actual size**

Left Hand Side

Right Hand Side



Item Color: Trans-Chrome Blue

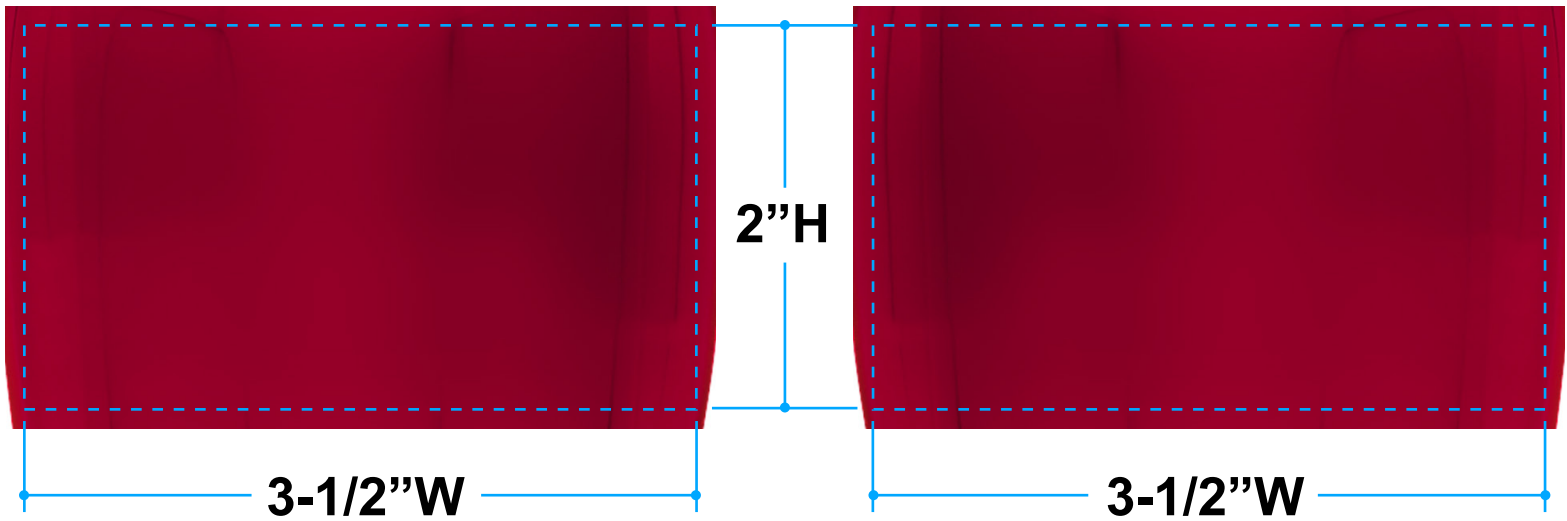
Proof/Layout form: QP57077
Optima™ Trans-Chrome Tumbler - 14 oz.



**Shown at 25%
of actual size**

Left Hand Side

Right Hand Side



Item Color: Trans-Chrome Red