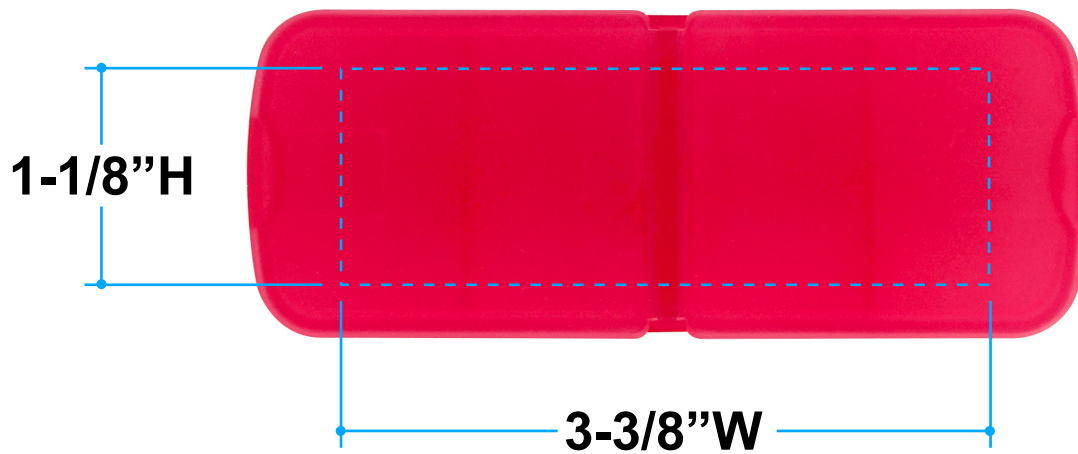
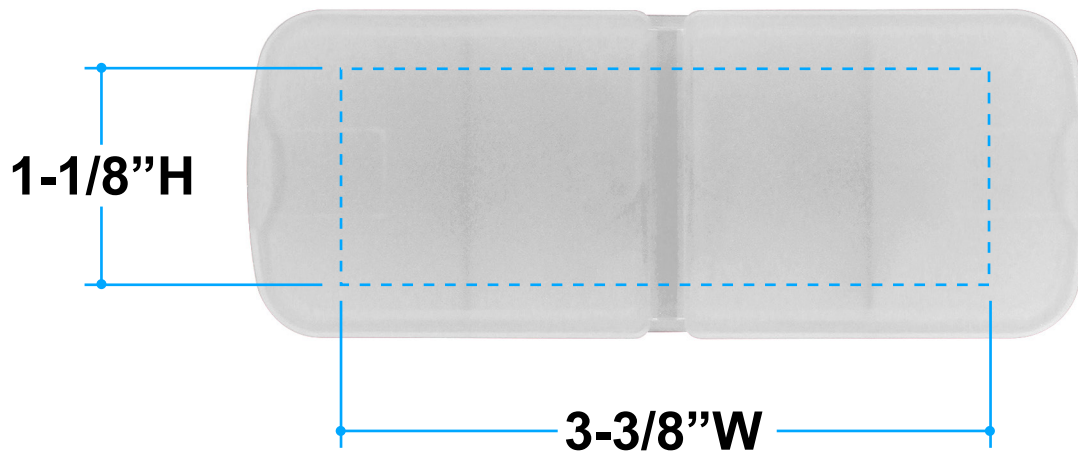


**Proof/Layout form: QP95002**  
**Pill Box Bandage Dispenser**



**Item Color:** Frosted Red

**Proof/Layout form: QP95002**  
**Pill Box Bandage Dispenser**



**Item Color:** Frosted Clear