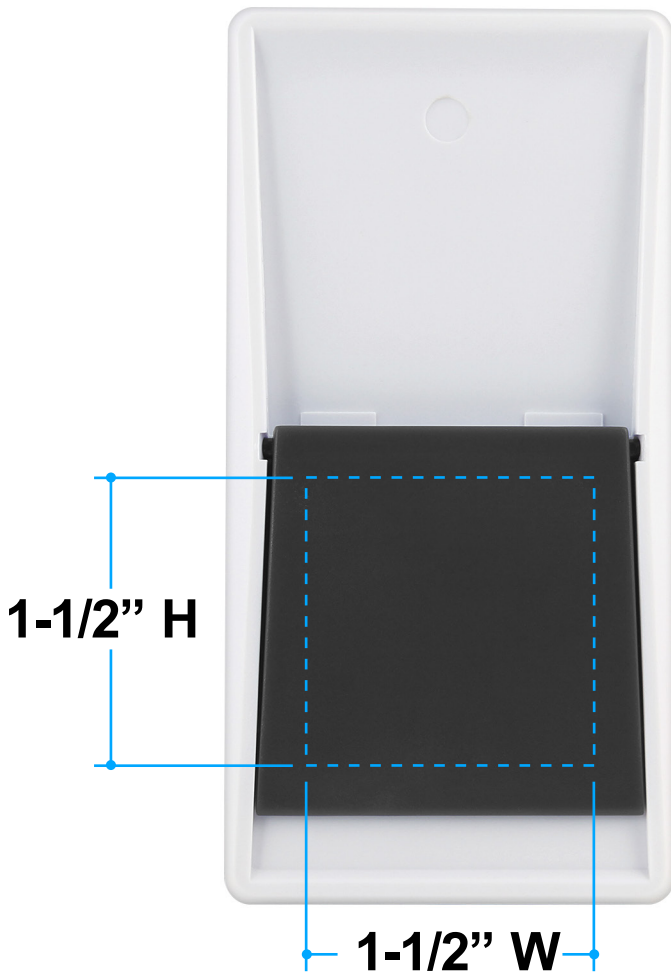


Proof/Layout form: QP51160

Phone Stand with Silicone Grip

Main Imprint Side



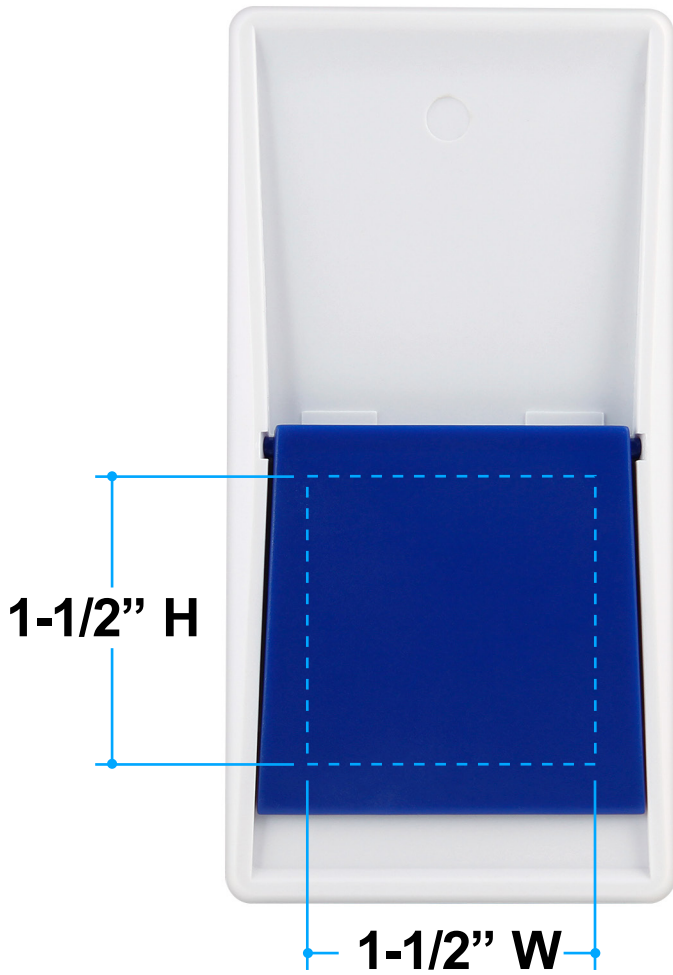
Optional Side



Item Color: Black

Proof/Layout form: QP51160
Phone Stand with Silicone Grip

Main Imprint Side



Optional Side



Item Color: Blue