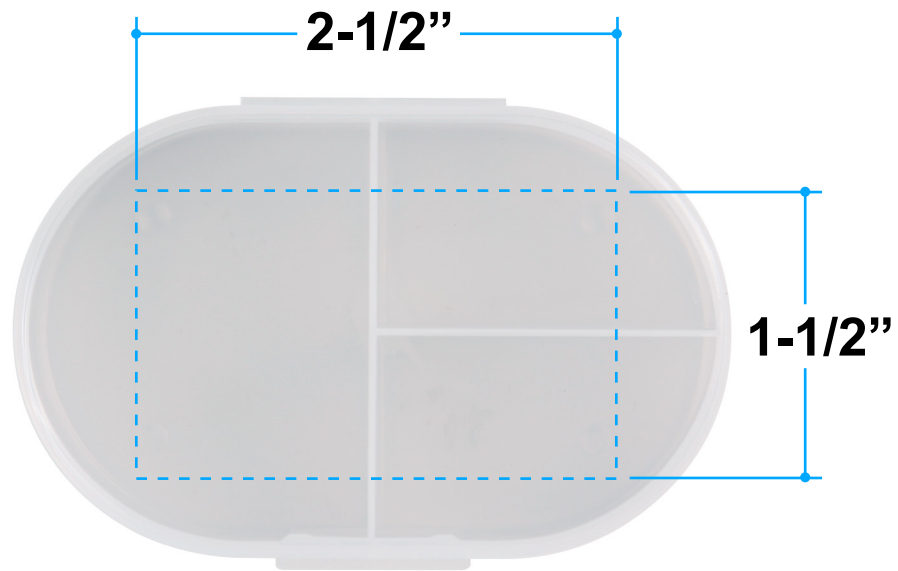
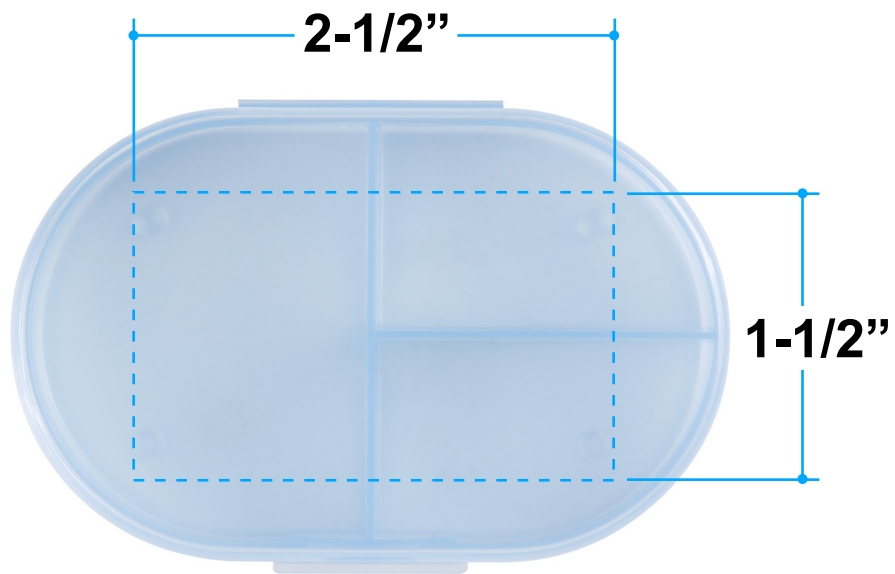


Proof/Layout form: QP52051
Select-All Pill Box



Item Color: Frosted Clear

Proof/Layout form: QP52051
Select-All Pill Box



Item Color: Frosted Blue