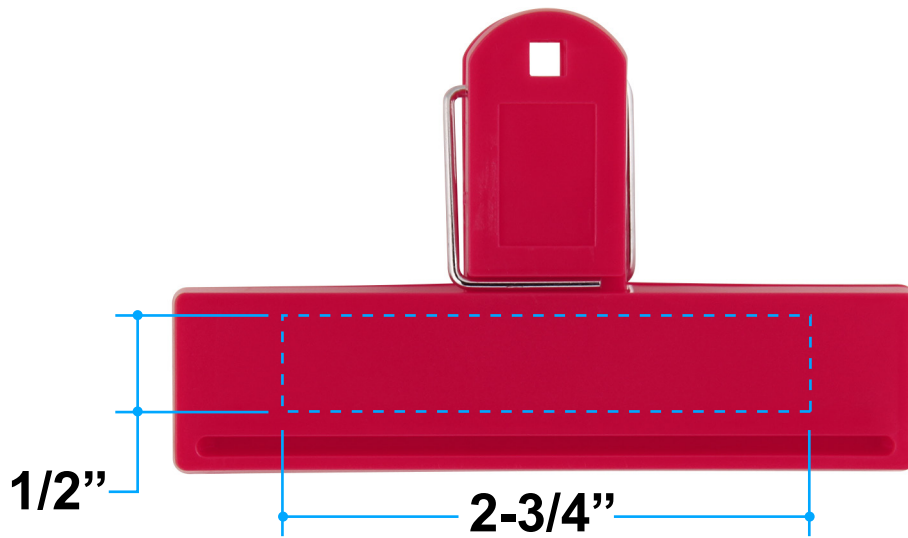
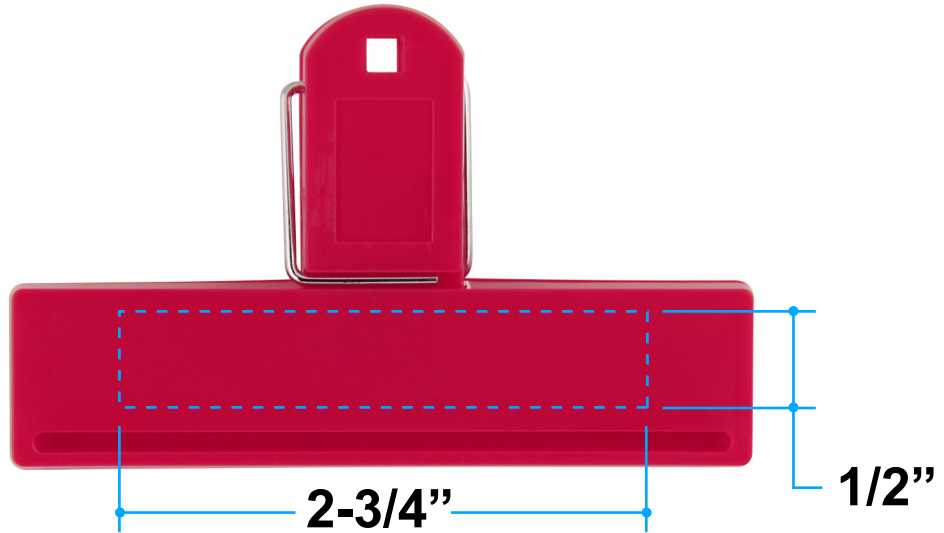


Proof/Layout form: QP82502
Small Clip



Optional Side

Item Color: Red